



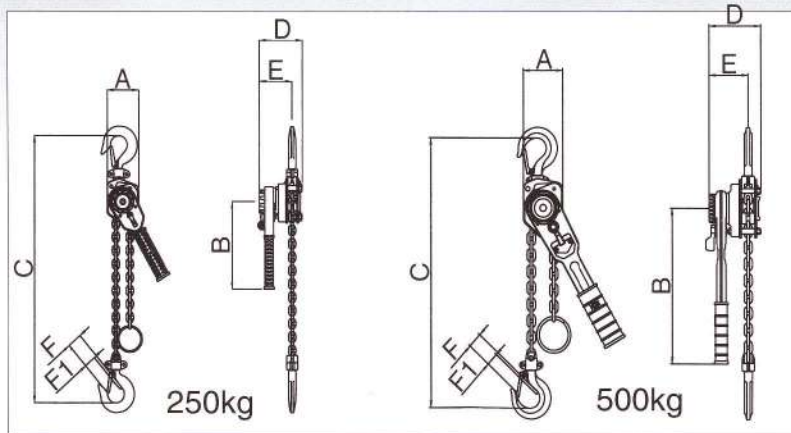
# LEVER HOIST

## Tiger



### FEATURES INCLUDE :

- Lightweight , Compact and Portable
- Fully Sealed to Protect Against Damage from Dust and Water.
- Easy Single-Hand "Free Chaining" Operation.
- Safe , Reliable Mechanical Brake System with Two Brake Pawls.
- Minimal Effort in Compact Design.
- High - Tensile Alloy Chain & Hooks



250kg

500kg

### ■ TECHNICAL INFORMATION :

CAPACITY (S.W.L.) Ton	1/4 (250kg)	1/2 (500kg)
• Standard lift (m/ft.)	1.0 (3.28)	1.0 (3.28)
• Test load (kg/lbs)	250 (550)	500 (1,100)
• Pull on lever to lift full load (kg/lbs)	30 (66)	34 (75)
• Load chain diameter (mm/inch)	φ 4.0 (0.157)	φ 5.0 (0.197)
• Number of chain falls	1	1
• Net Weight (kg/lbs)	2 (4.4)	3.6 (7.9)
• Gross Weight (kg/lbs)	2.15 (4.73)	3.9 (8.58)

### ■ DIMENSIONS IN mm (inch) :

CAP.	1/4TON	1/2TON
A	60(2.36)	75(2.95)
B	156(6.14)	276(10.87)
C	245(9.65)	270(10.63)
D	82(3.23)	100(3.94)
E	63(2.48)	75(2.95)
F	27(1.06)	30(1.18)
F1	22(0.87)	26(1.02)