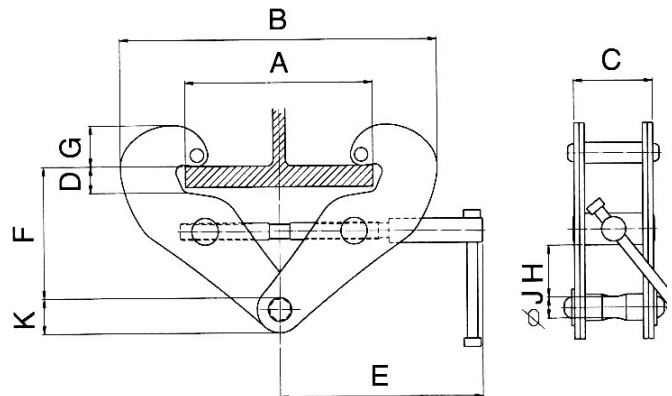
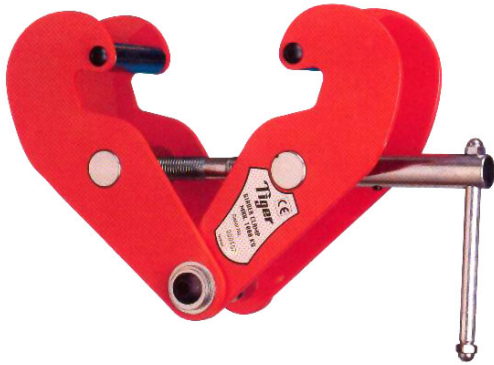


Beam Clamp



Features and Applications:

- Tiger beam clamp is suitable for attachment to steel beams as a semi permanent lifting point to be used in conjunction with hoist blocks, tirlors, ratchet hoists etc.
- The clamp can also be used for lifting and transferring of steel beams and as a pulling clamp.
- The beam clamp is fitted with a screw spindle which allows easy adjustment and high clamping force to the various flange sizes within its capacity.
- Safety factor is 5 times of safe working load
- Low headroom with built in suspension bar.



Capacity (tons)	Model	A	B	C	D	E	F	G	Ø J	K	Net weight	Gross weight
1	BC-1000	75-210	182-328	77	26	190	144-117	52-38	Ø 20	34	4	4.5
2	BC-2000	75-210	182-328	85	26	190	144-117	52-38	Ø 20	34	4.6	5.2
3	BC-3000	75-305	214-460	107	35	240	224-179	58-40	Ø 22	42	8.4	9.1
5	BC-5000	75-305	214-460	121	35	240	220-175	58-40	Ø 28	45	10	10.7